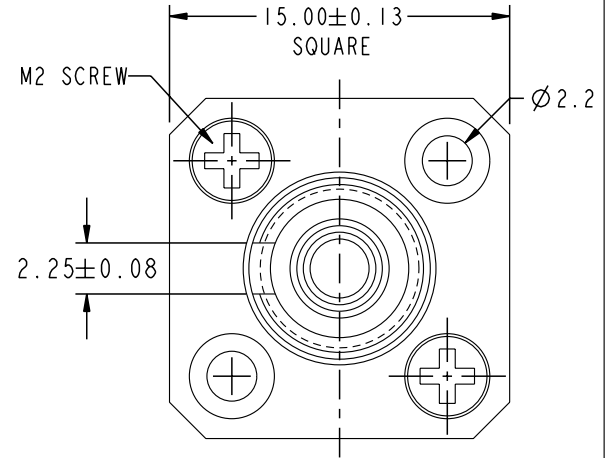
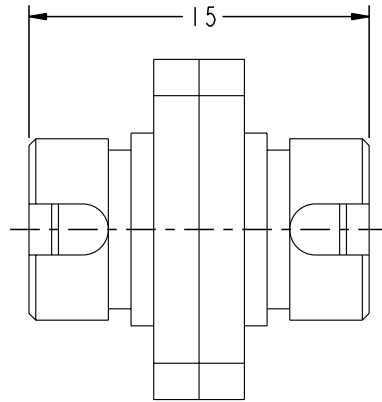
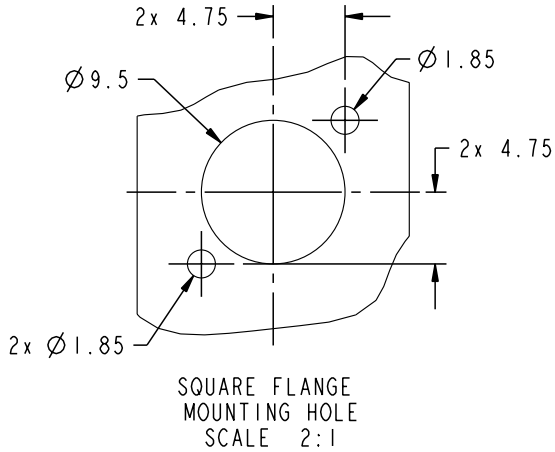


Tous droits strictement réservés. Reproduction ou communication o des tiers interdite sous quelque forme que ce soit sans autorisation écrite du propriétaire. Propriete de c FCI. Droits de reproduction FCI.

All rights strictly reserved. Reproduction or issue to third parties in any form whatever is not permitted without written authority from the proprietor. Property of FCI. Copyright FCI.

FCI

FCI P/N NOTE 1	DESCRIPTION
74883-001LF	ADAPTER, SQUARE FLANGED, FC/FC, W/PB SLEEVE
74883-002LF	ADAPTER, SQUARE FLANGED, FC/FC, W/ZR SLEEVE



NOTES:

- THIS PRODUCT WITH "LF" SUFFIX MEETS EUROPEAN UNION DIRECTIVES AND OTHER COUNTRY REGULATIONS AS DESCRIBED IN GS-22-008. "LF" SUFFIX INDICATES THIS PRODUCT IS LEAD FREE.

mat'l code				SEE NOTES				tolerances unless otherwise specified				CUSTOMER		 www.fciconnect.com						
ltr	ecr no.	dr	date	linear	0.X ± 0.3				COPY		 title ADAPTER, FC									
A	V90732	RN	3/16/99		0.XX ± 0.10				projection											
B	V11223	JJK	3/29/01		0.XXX ± 0.050				 scale 3:1											
C	V12355	JJK	11/7/01		0° ± 2°				 3:1											
D	V05-0635	DAI	8/10/05	dr	J. KILE	3/20/01	enr	G. WARNER	3/29/01	chr	G. WARNER	3/20/01	appd	G. WARNER	3/20/01	product family	FIBER OPTICS	code	213	
sheet	revision	D	D	D	D											size	dwg no	74883	sheet	1 of 4
index	sheet	1	2	3	4											cage code	22526			

Pro/E

cage code 22526

PDM: Rev:D

STATUS: Released

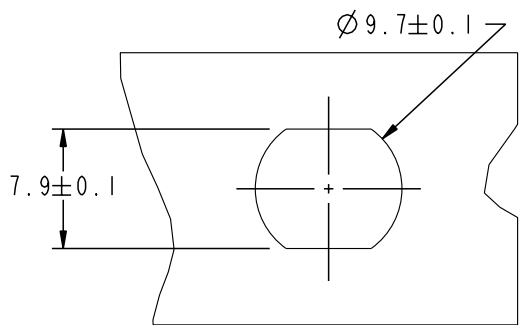
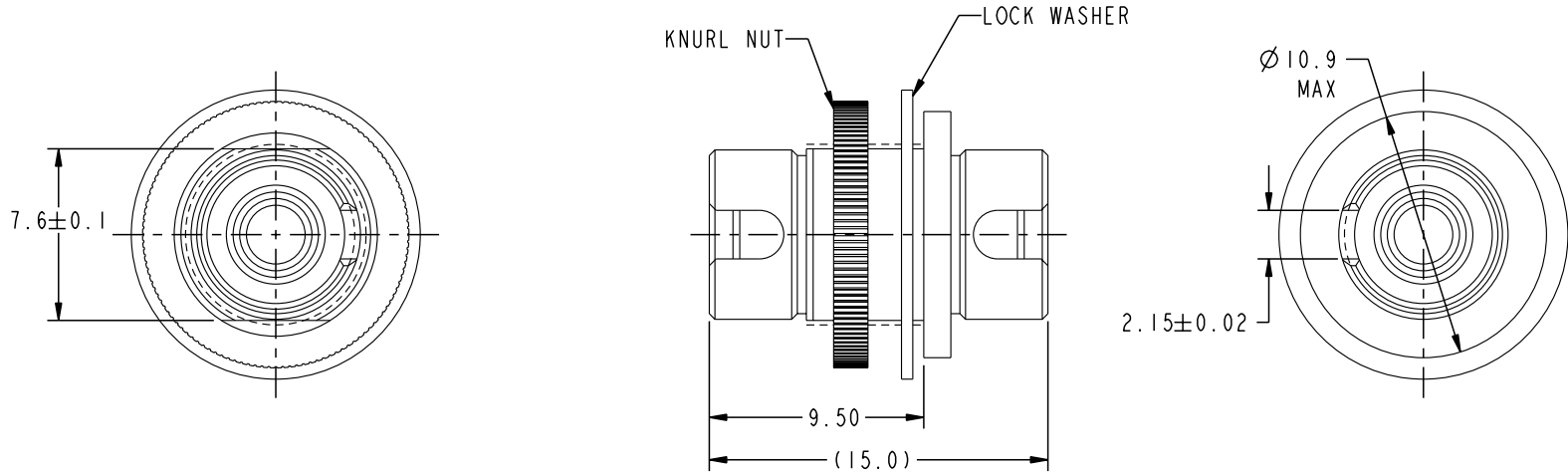
Printed: Apr 08, 2008

Tous droits strictement réservés. Reproduction ou communication o des tiers interdite sous quelque forme que ce soit sans autorisation écrite du propriétaire. Propriete de c FCI. Droits de reproduction FCI.

All rights strictly reserved. Reproduction or issue to third parties in any form whatever is not permitted without written authority from the proprietor. Property of FCI. Copyright FCI.



FCI P/N NOTE 1	DESCRIPTION
74883-003LF	ADAPTER, DD-MOUNT, FC/PC W/PB SLEEVE
74883-004LF	ADAPTER, DD-MOUNT, FC/PC W/ZR SLEEVE



DD-MOUNT
MOUNTING CUTOUT
SCALE 2:1

mat'l code				SEE NOTES		tolerances unless otherwise specified		CUSTOMER		 www.fciconnect.com	
ltr	ecm no.	dr	date	linear	0.X ± 0.3		COPY		title		
D					0.XX ± 0.10		projection		ADAPTER, FC		
					0.XXX ± 0.050				product family FIBER OPTICS code		
				angles	0° ± 2°				size		213
				dr	J. KILE	3/20/01	MM		dwg no		2
				enr	G. WARNER	3/29/01	← MM →		74883		sheet
				chr	G. WARNER	3/20/01	scale		A		2
				appd	G. WARNER	3/20/01	3:1		cage code		
sheet index	revision sheet								22526		

Pro/E

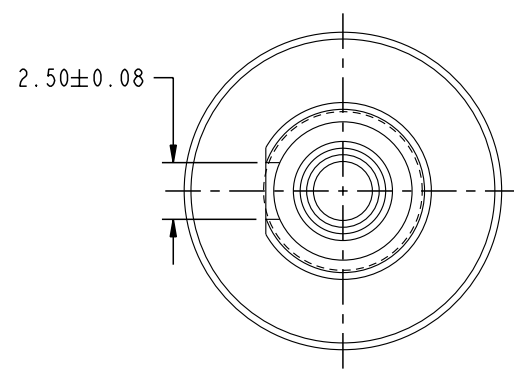
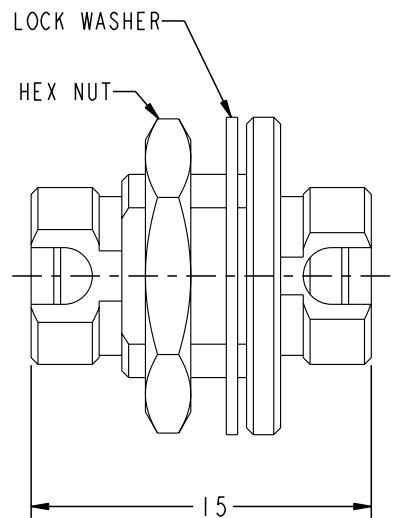
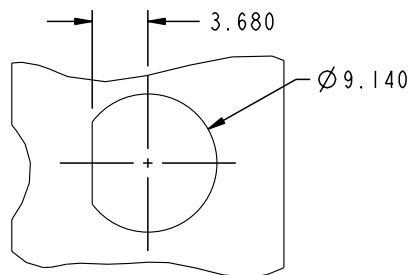
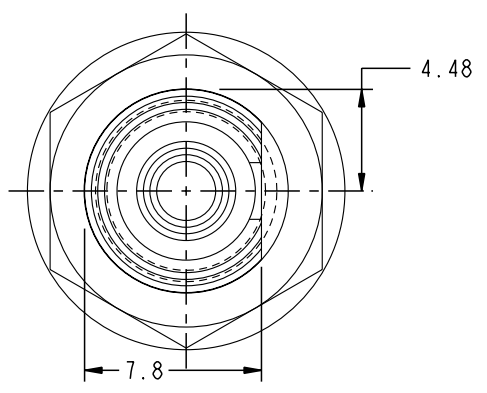
cage code 22526


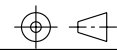

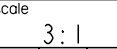
Tous droits strictement réservés. Reproduction ou communication o des tiers interdite sous quelque forme que ce soit sans autorisation écrite du propriétaire. Propriete de c FCI. Droits de reproduction FCI.

All rights strictly reserved. Reproduction or issue to third parties in any form whatever is not permitted without written authority from the proprietor. Property of FCI. Copyright FCI.

A
FCI

FCI P/N NOTE 1	DESCRIPTION
74883-005LF	ADAPTER, D-MOUNT, FC/PC W/PB SLEEVE
74883-006LF	ADAPTER, D-MOUNT, FC/PC W/ZR SLEEVE



mat'l code				SEE NOTES		tolerances unless otherwise specified		CUSTOMER		 www.fciconnect.com	
ltr	ecn no.	dr	date	linear	0.X ±0.3		COPY		title		
D					0.XX ±0.10		projection		ADAPTER, FC		
					0.XXX ±0.050				product family FIBER OPTICS code		
				angles	0° ±2°				size		213
				dr	J. KILE	3/20/01	MM		dwg no		3
				enr	G. WARNER	3/29/01			74883		sheet
				chr	G. WARNER	3/20/01	3:1		A		3
				appd	G. WARNER	3/20/01					
sheet index	revision sheet										

Pro/E

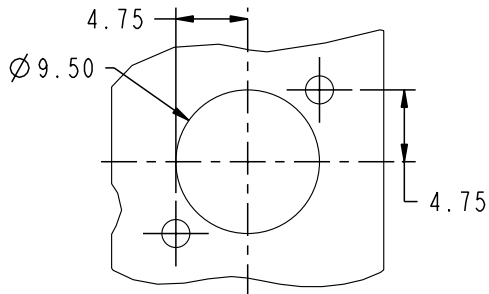
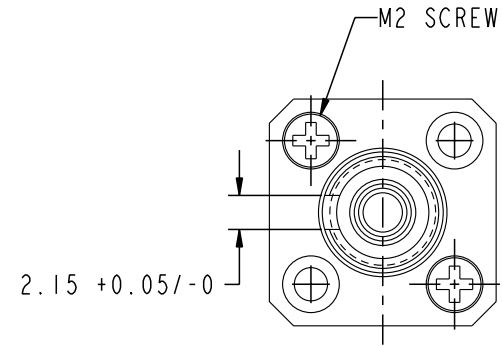
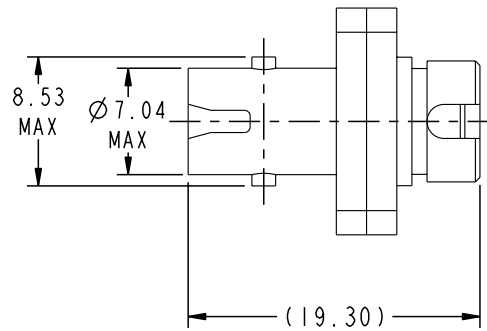
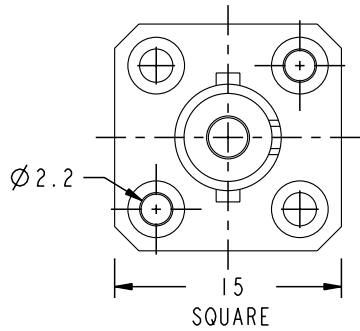
cage code 22526

Tous droits strictement réservés. Reproduction ou communication o des tiers interdite sous quelque forme que ce soit sans autorisation écrite du propriétaire. Propriété de c FCI. Droits de reproduction FCI.

All rights strictly reserved. Reproduction or issue to third parties in any form whatever is not permitted without written authority from the proprietor. Property of FCI. Copyright FCI.



FCI P/N NOTE 1	DESCRIPTION
74883-102LF	ADAPTER, SQUARE FLANGED, FC/ST, W/ZR SLEEVE



SQUARE FLANGE
ADAPTER CUT OUT
SCALE 2:1

mat'l code		SEE NOTES		tolerances unless otherwise specified		CUSTOMER		 www.fciconnect.com	
ltr	ecn no.	dr	date	linear	0.X ±0.3	COPY		title	
D					0.XX ±0.10	projection		ADAPTER, FC	
				angles	0.XXX ±0.050			product family FIBER OPTICS code	
				dr	J. KILE 3/20/01	MM		size	
				enr	G. WARNER 3/29/01			dwg no	
				chr	G. WARNER 3/20/01	scale		213	
				appd	G. WARNER 3/20/01	2:1		sheet	
sheet index		revision sheet						4	

Pro/E

cage code 22526

PDM: Rev:D

STATUS: Released

Printed: Apr 08, 2008